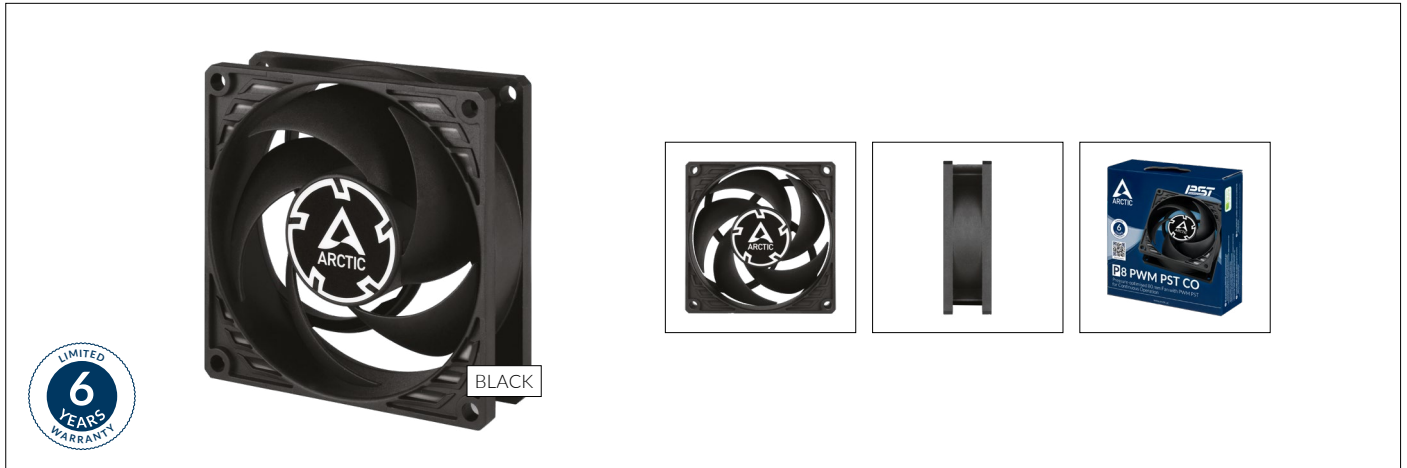


# P8 PWM PST CO



80 mm PWM Fan with Cable Splitter for Continuous Operation

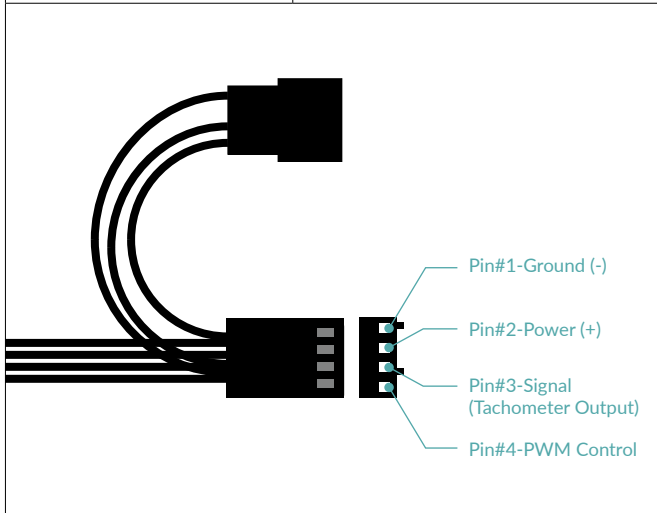


## Fan Specifications

Dimensions	80 (L) x 80 (W) x 25 (H) mm
Weight	78.5g
Speed	200-3000 rpm, 0 rpm <5% PWM
rpm Control	Pulsweitenmodulation - PWM
Static Pressure	1.9 mmH <sub>2</sub> O
Airflow	23.4 cfm   39.76 m <sup>3</sup> /h
Bearing	Dual Ball Bearing
Cable Length	400 mm + 80 mm
Connector	4-Pin Connector + 4-Pin Plug
Current   Voltage	0.09 A   12 V DC
Starting Voltage	3.4 V DC
Noise Level	0.3 Sone
Ambient Operating Temperature	0-40 °C

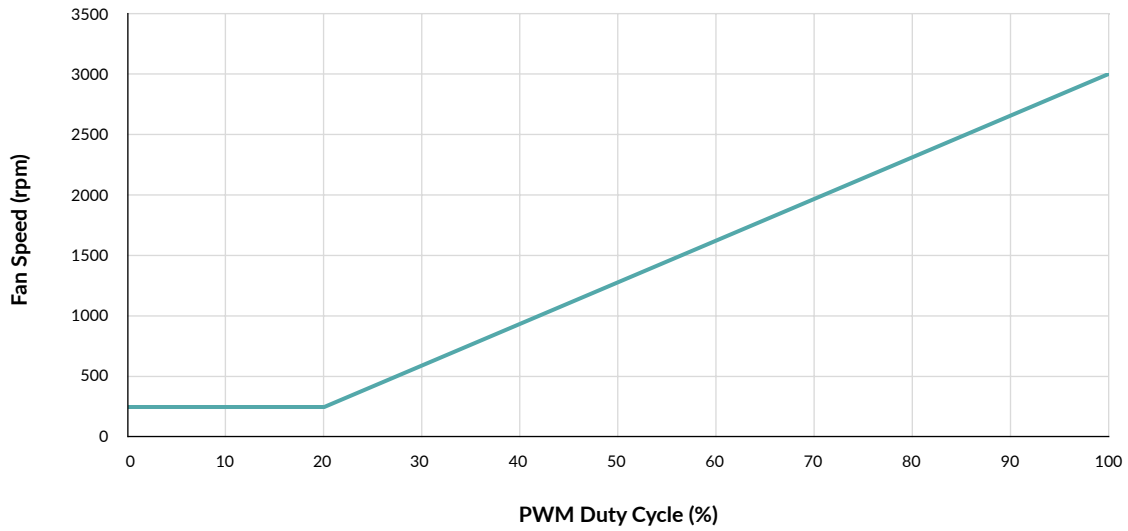
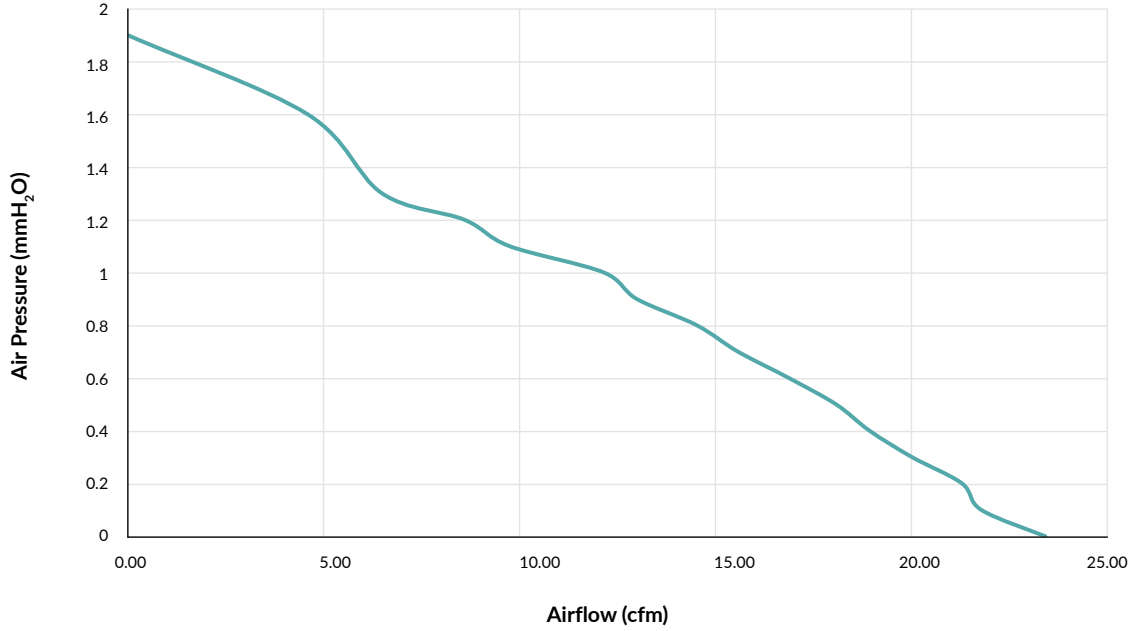
## Shipping Information Single Fan - Black

Box Dimensions	82,5 (L) x 82,5 (W) x 26 (H) mm
Gross Weight	100g
SKU	ACFAN00151A
EAN	4895213702041
UPC	872767009936
Box Content	P8 PWM PST CO x1 Mounting Screws x4



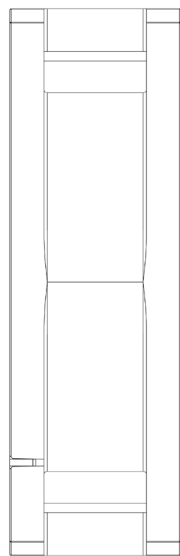
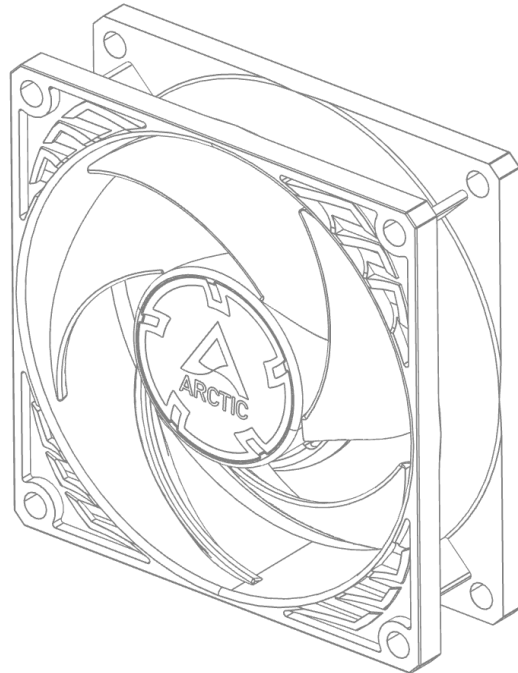
# P8 PWM PST CO

80 mm PWM Fan with Cable Splitter for Continuous Operation

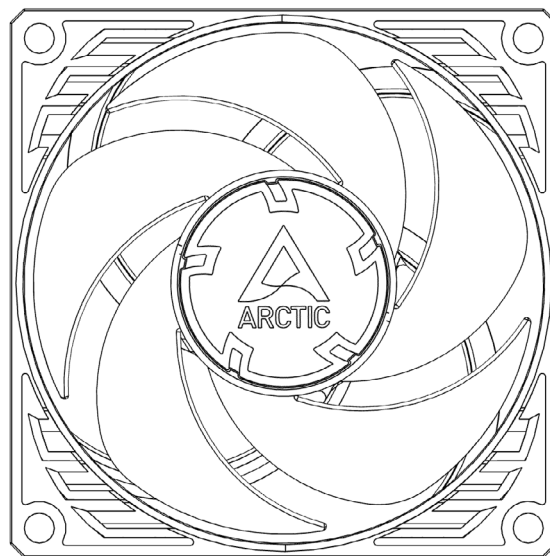


# P8 PWM PST CO

80 mm PWM Fan with Cable Splitter for Continuous Operation



← 25mm →



← 80mm →



80 mm



All materials are compatible with RoHS requirements.

MORE INFORMATION



MANUALS

